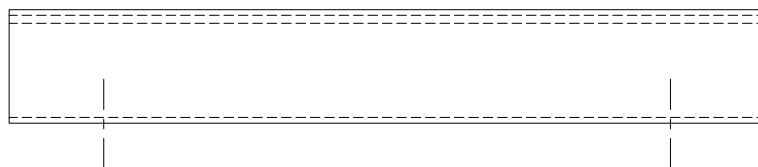
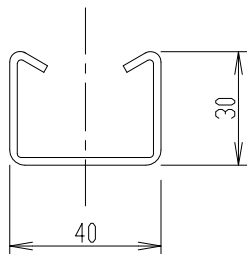
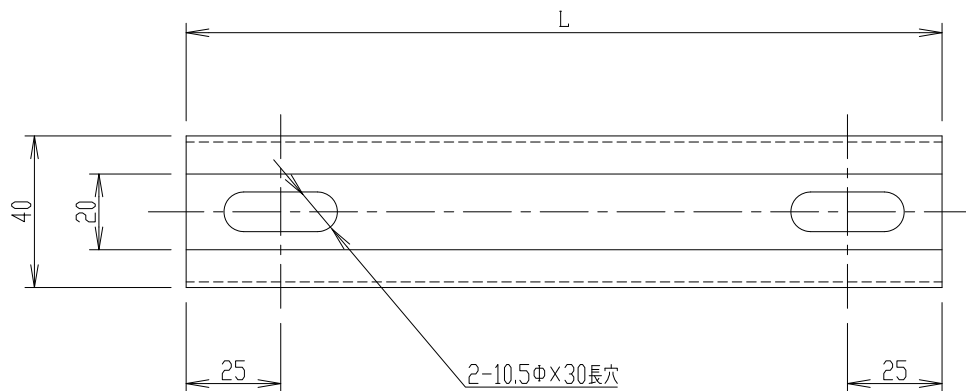
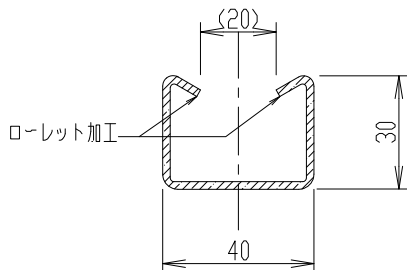


D1P



レール断面 S = 1 / 2



製品仕様図

材質	SGHC/SGCC	スーパーダイマ	SUS304	長さ (L)
板厚	t = 2.0	t = 2.0	t = 1.5	
品番	HLD1P010	DHLD1P010	SHLD1P010	100
	HLD1P015	DHLD1P015	SHLD1P015	150
	HLD1P020	DHLD1P020	SHLD1P020	200
	HLD1P025	DHLD1P025	SHLD1P025	250
	HLD1P030	DHLD1P030	SHLD1P030	300
	HLD1P035	DHLD1P035	SHLD1P035	350
	HLD1P040	DHLD1P040	SHLD1P040	400
	HLD1P045	DHLD1P045	SHLD1P045	450
	HLD1P050	DHLD1P050	SHLD1P050	500
	HLD1P055	DHLD1P055	SHLD1P055	550
	HLD1P060	DHLD1P060	SHLD1P060	600
	HLD1P065	DHLD1P065	SHLD1P065	650
	HLD1P070	DHLD1P070	SHLD1P070	700
	HLD1P075	DHLD1P075	SHLD1P075	750
	HLD1P080	DHLD1P080	SHLD1P080	800
HLD1P085	DHLD1P085	SHLD1P085	850	
HLD1P090	DHLD1P090	SHLD1P090	900	
HLD1P095	DHLD1P095	SHLD1P095	950	
HLD1P100	DHLD1P100	SHLD1P100	1000	
HLD1P105	DHLD1P105	SHLD1P105	1050	
HLD1P110	DHLD1P110	SHLD1P110	1100	
HLD1P115	DHLD1P115	SHLD1P115	1150	
HLD1P120	DHLD1P120	SHLD1P120	1200	
HLD1P125	DHLD1P125	SHLD1P125	1250	
HLD1P130	DHLD1P130	SHLD1P130	1300	
HLD1P135	DHLD1P135	SHLD1P135	1350	
HLD1P140	DHLD1P140	SHLD1P140	1400	
HLD1P145	DHLD1P145	SHLD1P145	1450	
HLD1P150	DHLD1P150	SHLD1P150	1500	

特記事項

図面名称	レールエース D1タイプ短尺 (長穴あり)			
図面番号	D1P-W	縮尺	1/2	

八州電工株式会社